

2007 Tres Rios Nature and Earth Festival

Base and Meridian Wildlife Area

March 17 & 18, 2007



Thank you to our AMAZING Sponsors!

this event is not possible without each of you!

Eagle Level



Honeywell **APS** **City of Avondale**



THE ARIZONA REPUBLIC

Falcon Level



Buckeye Water Conservation & Drainage District

Jackie & Verlyne Meck



Heron Level



Osprey Level



Owl Level

• Brian Saas • VMC • Zep Manufacturing • The Home Depot



Welcome to the 2007 Tres Rios Nature and Earth Festival

The Tres Rios Nature Festival Steering Committee welcomes you to the fourth annual Tres Rios Nature and Earth Festival! We are thrilled to be partnering with Luke Air Force Base to "Live to the Xtreme". Take a moment to explore the cool new technologies of clean energy and be challenged to learn how to live smarter and protect our environment.

We trust you will enjoy the amazing beauty of the Arizona outdoors. We invite you to take this opportunity to learn from the incredible naturalists, biologists, bird guides, and educators we have gathered here today!

The festival grounds are a historic area, filled with reminders of our past and keys to our future. This "Tres Rios" area is unique to our community and marks the center of our geographic system in Arizona

We welcome you to our piece of paradise! So enjoy, celebrate and learn!

2007 Tres Rios Nature Festival Steering Committee

Jackie Meck - 2006 Festival Co-Chair, Buckeye Conservation and Water District

Mike Rupp - Desert Rivers Audubon

Tom Hildebrandt - Arizona Game and Fish Department

Tice Supplee - Audubon Arizona

Ingrid Hilton - City of Avondale

Paula Ilardo - City of Goodyear

Mary Reker - City of Phoenix

Alice Brawley-Chesworth - City of Phoenix

Jeffery Schone - Luke Air Force Base

Kirsten Hall - Estrella Mountain Community College

Diana Stuart, Jennifer Pokorski and Theresa Pinto - Maricopa County Flood Control District

Bob McCormick - Sonoran Audubon

Mollyanne Garrett - Liberty Wildlife

Sharolyn Hohman - West Valley Chamber of Commerce

Heidi Vasiloff - Wildlife For Tomorrow Foundation, Festival Coordinator

Darren Julian and Phil Smith - Arizona Game and Fish Department

Robin N. Clayton - Freelance Writer

Angela Vasiloff, Austin Hopper, and Cathy Wise - Wildlife for Tomorrow Foundation



Web Design by Prominent Technologies, LLC

2007 Tres Rios Nature and Earth Festival

Letter from Art Macias

Arizona Lottery Executive Director



The Arizona Lottery is proud to be a Patron Sponsor of the Tres Rios Nature and Earth Festival. It is yet another opportunity to share in the success of the Heritage Fund. Since the voters created the Heritage Fund in 1990, your Arizona Lottery has contributed \$298.5 million to sustain our wildlife and environment.

In addition to staging events like this urban wildlife festival, Arizona Lottery dollars working through the Heritage Fund allow the Arizona Game and Fish Department to support other non-traditional wildlife programs. Funding also supports the Watchable Wildlife program and Adobe Mountain Wildlife Center - both of which are on display on the River.

Major funding for the Department's education programs, including the hands-on display at this Festival, flows from your Arizona Lottery and the Heritage Fund. It provides funding to acquire and protect important wildlife areas, like the one you are enjoying today.

This is a perfect example of your Lottery dollars at work: helping improve the quality of life for our citizens while maintaining our precious environment.

Your support of the Lottery translates directly into funding for wildlife educational efforts, so when you play, we all – including the wildlife of Arizona – win!



A.O.K. Corral



(Accent on Kids) sponsored by **THE ARIZONA REPUBLIC**
The Kids Zone is an area for kids to get active,
learn, and have fun!

Abitibi Paper Retriever - Name a great fund-raising goal and chances are it's among hundreds that these organizations are already funding by collecting all types of clean, dry paper from their community. Abitibi-Consolidated Recycling Division provides this program and collection service at no charge to each location. Bright green and yellow containers - called Abitibi Paper Retrievers® - are placed in highly visible, convenient areas where residents can drop off their newspaper, magazines, shopping catalogs and mail. Abitibi is proud to sponsor this years "Recycling Fashion Show" www.paperretriever.com

Audubon Arizona - (az.audubon.org) - Audubon Arizona is a not-for-profit organization and is the State Office of the National Audubon Society. Audubon Arizona's education programs include K-12 Environmental Science classes focusing on native habitats and wildlife, field ecology, and recycling education.

Frisbee Frog Relay - Kids will have the opportunity to win their very own frog Frisbee by participating in a learning game about the three R's of recycling - Reduce, Reuse, Recycle!



Face Art - Face painters will be there to add custom designs for your child!

Girl Scouts - Calling all Girl Scouts - Here is your opportunity to earn some badges, including a custom Tres Rios patch! Group leaders are encouraged to bring their troops - activities provided will allow your troop to meet all the requirements for four badges!

Go Fish - Trading Cards - Come and play the trading card game of go fish. Participants will get to keep these one-of-a-kind trading cards to help remind them to recycle!

Girl Scouts Cookies - Don't miss your chance to get your Girl Scout cookies

Green Bling - Kids, here is your opportunity to create your very own "green" bling made from recycled glass beads, natural rocks, hemp, and customized bottle caps. Sponsored by AMEC and ZEP Manufacturing, these bracelets are already setting a trend across the nation.

Green Chemistry - Salt Gardens - For generations, bluing has been known as an essential ingredient of a "Salt Crystal Garden". This delightful crystalline formation became popular in the Great Depression, and is still known to some as a "Depression Flower" or "Coal Garden". By combining common ingredients (salt, water, bluing, food coloring and ammonia) over a porous base material (Coal, sponge, or other), the salt recrystallizes into beautiful, delicate coral-like formations. We have offered the recipe free to individuals, schools, and scout troops for decades. www.mrsstewart.com/pages/scginstructions.

Green Nuudles - Kids, here is your opportunity to create your very own "green" building made corn starch. In partnership with KTM Industries, inc, you will be able to utilize a state of the art biodegradable art project made from corn starch! It is even edible! Come and make your wildest creations using "Magic Nuudles."

Petting Zoo - J and M Livestock working together with Save A Horse Foundation, incorporate animals into Education Programs for school children and Therapy Programs for Children and Adults with Disabilities and Problem Teens. Our Equine Assisted Therapy Program Helps raise funds each year to support Autism and Cerebral Palsy research.

Tattoo Booth - Tetra Tech Inc will be on hand to give the kids temporary tattoos for kids of ALL (adults too!) ages. This is the only place you can get your choice of over 20 custom tattoos, from bulldogs, and F-16 Fighter Jets to princess tattoos!

Nature Talks

sponsored by **Honeywell**

The nature talk series is at the core of the Festival experience. This is an opportunity for people of all ages to really learn about our native wildlife, culture, and community.

From Bald Eagles to Bats and Slinky Snakes, the wildlife list is impressive. Biologists from the state and federal levels will share their knowledge and programs about Arizona's wildlife. Also, you can learn about the birds and other animals that may wander into your own back yard!

If you are interested in edible desert plants, gardening with your kids, or humorous tales about growing up in the desert, then there is something for you as well.

Our Nature Talks are simply amazing – it is an opportunity for kids be entertained, learn something from the experts and to have a great time! There is storytelling, talks, walking explorations of the desert, and so much more – you may not want to leave the “Talks” stage and explore the rest of the festival!

Fun Recipes of the Sonoran Desert for Children – 10:30am Saturday - Jean Groen and Don Wells

A children's view and education of the Sonoran Desert and what it has to offer, given by the authors of “The Adventures of Flat Cactus Jack”.



The Hohokam – Ancient People of the Desert – 11:00am Saturday - Shelley Rasmussen

Join Shelley as she talks about the people who lived in the Salt River Valley before the history books were written. A lot of what we know comes from the beautiful rock art that can be found throughout the Maricopa County Parks.

Water – 11:30am Saturday - Tim Skarupa, SRP

Water, water everywhere! How much water was needed to make that hamburger you had for lunch? Where do we get all this water in the desert? Why do you need to conserve water when there's that huge lake just east of the Valley? Learn the answers to these questions and more in a hands-on, lively talk by the guy who knows!



Edible Landscaping with Children – 12 noon Saturday Catherine the Herb Lady, Herbs 2 U

Catherine, The Herb Lady, will show families how to start growing edibles with their children. Using “Show ‘n Smell” The Herb Lady discusses and demonstrates some of the kinds of herbs and edible flowers and if available other edibles which can be incorporated into backyard gardens. Discover why these wonderful plants can provide gardening projects for families which are not only edible, but beautiful and safe options for backyard gardens.

Birds of Prey – 12:30pm Saturday - Linda Scott, Liberty Wildlife

Liberty Wildlife, a non-profit rehabilitation, education, and conservation organization, will have live birds of prey. They will talk about their habitat in Arizona, and about the birds themselves.





Nature Talks

sponsored by **Honeywell**

BUBBLE GUM BLUES... ROUGH ROAD TO RODEO... SCHOOLS IN – 1pm Saturday and Sunday - Cliff Hicks

Raised in the valley of Eagle Creek . . . a group of law abiding citizens tried their best to lead me down the right path . . . yet trouble always reached out and handed me a slice of excitement . . . we had very few toys . . . but I always had a pocket full of rocks . . .

“What’s all the Bat Chatter?” – 1:30pm Saturday - Nancy Renison, Arizona Game & Fish Department, Bat Conservation Project

Explore the world of bats and learn about how they navigate and capture prey (echolocation). Nancy Renison, a bat biologist with the Arizona Game and Fish Department, will share her knowledge about bats in this delightfully animated and hands-on presentation. This family program is fun and educational. You’re ‘guano’ love it!!



Desert Fables – 2pm Saturday and Sunday - Ann McDermott

Ann McDermott is a freelance writer who writes about the Sonoran Desert. Ann will share her stories and fables of desert plants and animals.



Bird Basics – 2:30pm Saturday - Tice Supplee, Audubon Arizona

Come learn what makes birds so special, and why watching them in your own backyard or at the local park can be so much fun.

Snakes & Reptiles – 3pm Saturday - Kyle McCarty, Arizona Game & Fish Department

Arizona is full of fascinating snakes and lizards. Come learn about some of the more interesting ones you can find here in our deserts!

Weed Walk – 3:30pm Saturday - Ed Northam, Central Arizona Weed Management Area

Come walk around to find some interesting native plants, and learn to identify the weeds that don’t belong.

Nature Investigator Tech – 4pm Saturday - Cris Cristoffer, Luke Air Force Base

Naturalists study nature, but ordinary people can be naturalists, too. He will demonstrate technology available for amateur naturalists. One is an adapter that turns a telescope into a camera lens. Another is a dish microphone and digital recorder to record animal sounds. The rest have to do with animals that visit flowers, and include glowing powder (to track pollinators), a test for sugar content, a range finder, nets to exclude birds OR insects (to see which visits the flowers), a telescope to observe butterflies and bees, and others.

Desert & River Mammals – 4:30pm Saturday Tom Hildebrandt, Arizona Game & Fish Department

The Tres Rios area is home to some fun and fascinating furry creatures – the mammals! Tom will talk about the cute and fuzzy, as well as the fierce and hungry. Learn how to spot the “sign” that a mammal has been present. Find out what’s living out there in the wild!

Nature Talks

sponsored by **Honeywell**

Poetry Readings with David Chorlton - 10:30am Sunday - David Chorlton

David Chorlton was born in Spittal-an-der-Drau, Austria, and grew up in Manchester, England. After two boring years in an insurance office, he studied and practiced graphic design first in Manchester, then from 1971 to 1975, in Vienna. He lived in Austria for seven years, during which time he liked to travel, paint, and take advantage of Europe's railways. He moved to Phoenix with his wife in 1978, and has become enamoured with the desert and southwest landscape.

Urban Wildlife: How to Coexist with the Wildlife in Your Neighborhood – 11:30am Sunday - Darren Julian, Arizona Game & Fish Department



Learn how to get along with the wildlife that is “invading” your neighborhood. The urban oasis that humans have created is an oasis for wildlife as well. Learn the dos and don'ts of living with wildlife and how the Arizona Game and Fish Department manages Urban Wildlife. Brief descriptions of common urban wildlife will be provided along with helpful hints on how to keep them from becoming a “nuisance.”

Condors Soar in Arizona! – 12 noon Sunday

Kathy Sullivan, Arizona Game & Fish Department

California condors in Arizona. Come learn about the condor reintroduction program in northern Arizona. Find out how biologists have brought these amazing birds back from the brink of extinction. Discover how many condors live in AZ, and where you can go to see them. Come hear about the success of the wild-hatched condor chicks in AZ. Learn the obstacles that condors face in the wild, and what you can do to help conserve these prehistoric giants.

Wetlands: A Walk in an Arizona Swamp – 12:30pm Sunday

Roland Wass, WGA

We will walk along and maybe in wetland habitat of the Middle Gila River. While walking we will talk about the wetlands in Arizona including what it means to our water quality, animals and you! Since we will be “in” an Arizona wetland we will also have the opportunity to see, feel and smell the wetland environment made up of plants, animals, and of course, water!



Birds of Prey: The lives of predators – 1:30pm Sunday

Kyle McCarty, Arizona Game & Fish Department

Birds of prey (or raptors) come in all shapes and sizes in Arizona, from the tiny Elf Owl to the Bald Eagle. This presentation will be an introductory discussion of how raptors differ from other birds, how they differ from each other, what they have in common, and how they live. Come and see what makes raptors the top predators of the bird world.

from our sponsors

everybody's on



There's no room for errors when our kids' safety is at stake.

Runner makes a break for second and slides in head-first. The umpire spreads his arms and the crowd roars. There's no feeling quite like reaching base safely. Off the diamond, making our kids safer should always be a top priority. That's why Honeywell Hometown Solutions and the 12,000 Honeywell employees in Arizona teamed up to support the great work of the National Center for Missing & Exploited Children. This year, close to 100,000 Arizona elementary school kids and their families will get the information they need to help protect our state's most precious resource, thanks to the innovative "Got 2B Safe!" program and their neighbors from Honeywell. We never forget that this is our hometown, too.

Honeywell

For information on keeping kids safe, visit the National Center for Missing & Exploited Children's website at www.missingkids.com.
Learn more about Honeywell Hometown Solutions and "Got 2B Safe!" at www.honeywell.com.

© 2005 Honeywell International Inc. All rights reserved.

Day At A Glance

	Main Stage	Nature Talks Stage	Hikes	Children's Area	Fishing Clinic and Canoe float	Off-Site Tours
10:00-10:30	Yellow Bird Dancers		Nature hikes on the Nature Trail all day long	How to Make a self Garden - every half hour!	Join Game and Fish Department of the Free Fishing Clinic and Canoeing - open from 10 a.m. to 4:00 p.m.	Boats will depart from the Festival from 11:00-2:15 Daily - the last one returns from the Volstead at 3:00 p.m.
10:30-11:00		Fun Recipes of the Sonoran Desert for Children				
11:00-11:30	Back Porch Band(s)	The Hohokam - Ancient People of the Desert	Beginning Bird Watching Classes - learn where group meets			
11:30-12:00		Wayer				
12:00-12:30	Jay Taylor	Edible Landscaping with Children	GPS hikes after- throughout - times TBA	Build A Boat		
12:30-1:00		Songs of Percy				
1:00-1:30	West Valley Youth Orchestra	Bubble Gum Blues				
1:30-2:00		What's All the Hat Chatter?		Recycled Fashion Show - Recycled Rubber Runway - Announce ALL contest winners!		
2:00-2:30	Back Porch Band	Desert Fabrics				
2:30-3:00		Bird Basics				
3:00-3:30	See Harris	Snakes & Eagles				
3:30-4:00		Wood Walk				
4:00-4:30	Back Porch Band	Nature Investigator Tech				
4:30-5:00		Desert & River Mammals				
5:00-6:30	<div data-bbox="175 1136 803 1526" data-label="Text" style="border: 2px solid black; padding: 10px; transform: rotate(-10deg);"> <h2 style="margin: 0;">Kids Contests</h2> <p style="margin: 0;">Don't miss the noon Build-a-boat contest on the river or the 1:30 Recycled Fashion show in the A.O.K. Corral!</p> </div>					
6:30-8:00						



Day At A Glance							
Sunday - March 18, 2007							
	West Parking Lot I	Children's Area	Main Stage	Nature Talks Stage	Gila River	Hikes	Shuttle to Wetland
10:00-10:30		How to Make a Salt Garden - offered every half hour	Pete Rolland		Join Game and Fish Department at the Free Fishing Clinic and Canoeing - open from 10 a.m. to 4:00 p.m.	Nature hikes on the Nature Trail all day long	
10:30-11:00				Poetry Readings			
11:00-11:30			Back Porch Band(s)		Urban Wildlife	Beginning Bird Watching Classes - leave when group meets	
11:00-12:00		Poetry Readings					
12:00-12:30			Luke Air Force Band	Condors Soar in Arizona!	Wetlands	GPS hikes offer throughout - see the Tread Lightly Booth	Buses will depart from the Festival from 11:00-2:15 Daily - the last bus returns from the Wetland at 3:00 p.m.
12:30-1:00							
1:00-1:30	Wings of Blue Sunday, 1300		Santitas Folklorico	Bubble Gum Blues	Birds of Prey: the Lives of Predators		
1:30-2:00							
2:00-2:30			West Valley Youth Choir	Desert Fables			
2:30-3:00							
3:00-3:30			Keith Johnson				
3:30-4:00							

Beginning Bird Watching Classes

A walking tour with instructor. Learn basic skills of binocular use, bird finding and identification and local habitat types. Limited number of binoculars provided. Offered when groups arrive!



from our sponsors

See savings in a whole new light.



Replace your incandescent bulbs with a CFL and save an average of \$25 over the life of the bulb.

Replacing incandescent bulbs with Compact Fluorescent Lights can save money.

When you replace your old incandescent lights with new Compact Fluorescent Lights (CFLs) you'll benefit in several ways. CFLs use about 75% less energy than old-fashioned incandescent bulbs. That means you can get the same amount of light and still use less electricity. And the less electricity you use, the more money you save.

You'll also like the fact that CFLs last up to ten times longer than incandescent bulbs.

So you'll save even more money because you won't have to replace burned out light bulbs as often.

And now, APS is partnering with local retailers to offer discounts on CFLs. You'll find a list of participating retailers at aps.com or call **1-800-783-7253**.

So make the switch to Compact Fluorescent Lights today—and start saving money and preserving our natural resources.

This program was approved by the Arizona Corporation Commission and is funded by APS customers.



Energy...enough to use, not enough to waste.

Entertainment

Saturday, March 17th

10:00 – 11:00	Apache Yellow Bird Hoop Dancers
11:00 – 12:00	The Back Porch Band(its)
12:00 – 1:00	Jay Taylor
1:00 – 2:00	West Valley Youth Orchestra
2:00 – 3:00	The Back Porch Band(its)
3:00 – 4:00	Sue Harris
4:00 – 5:00	The Back Porch Band(its)

Sunday, March 18th

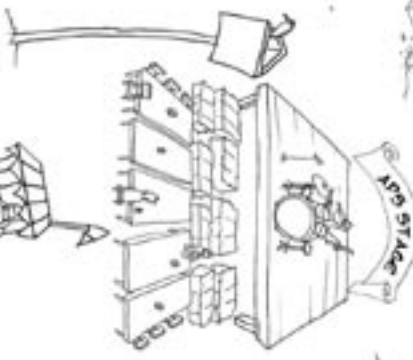
10:00 – 11:00	Peter Rolland
11:00 – 12:00	The Back Porch Band(its)
12:00 – 1:00	Air Force Band
1:00 – 2:00	Ballet Folklorico Amistad
2:00 – 3:00	West Valley Youth Choirs
3:00 – 4:00	Keith Johnson
4:00 – 5:00	The Back Porch Band(its)

Our Headline Group - The Back Porch Band





T-SHIRTS & RAFFLE

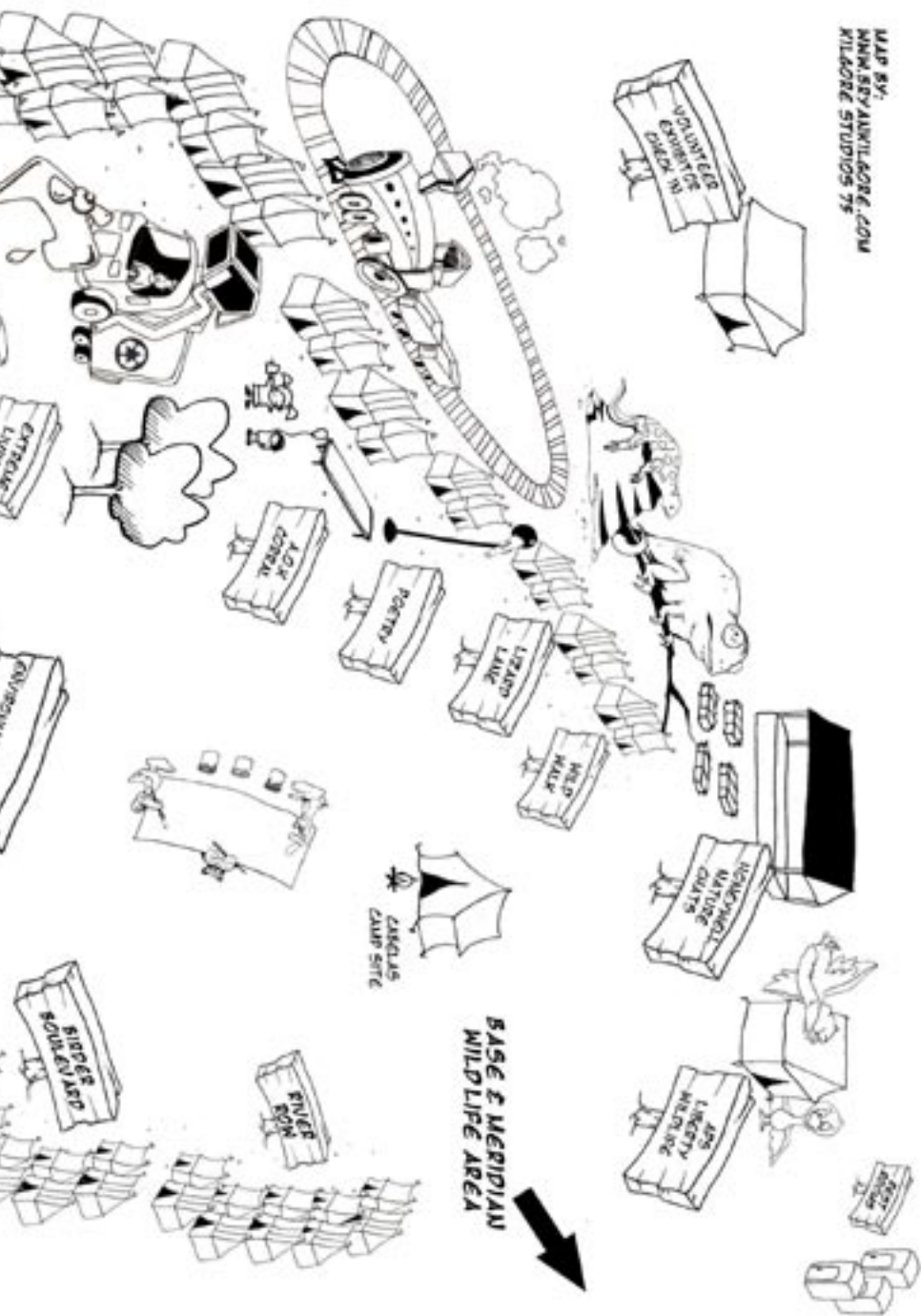


BUS TOURS TO TREES BIOP METLANDS

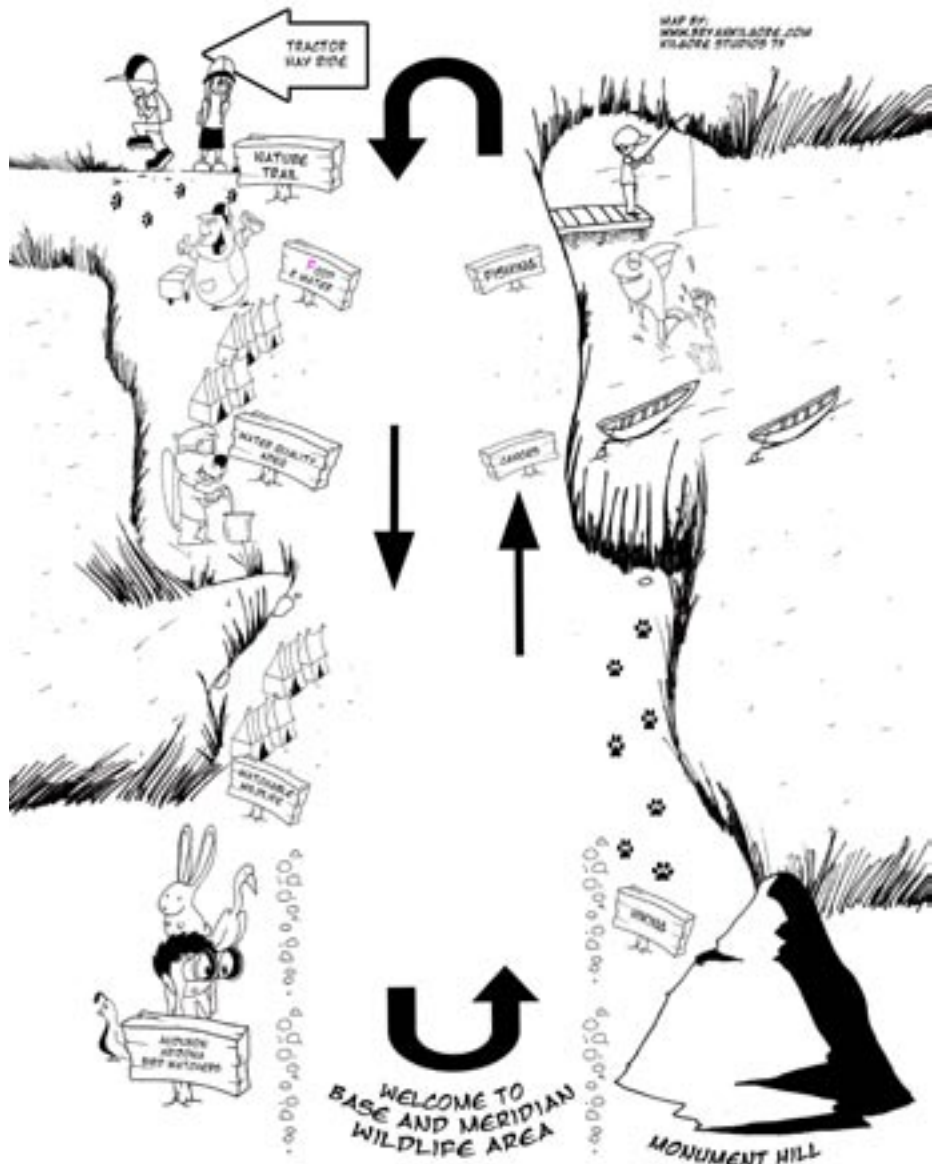
WINGS OF BLUE JUMP SUNDAY @ 1:00 PM



MAP BY:
MIMI SBYANKILL@GRC.COM
KILLGORE STUDIOS 75



B & M Wildlife Area



2007 Exhibitors

A.K.A Green - Come and see all the latest "green" technologies used at local schools, business offices, manufacturing facilities, and even product now available to residents that will provide a better living environment, reduce waste, and last longer than virgin materials (non-recycled content products). All of these are available to the local consumer in Scottsdale at the hippest home improvement store in town A.K.A. Green. For more information visit: www.akagreen.com. (Xtreme Living)

Accu-Tint - Did you know that you can save over \$700 in cooling costs for your home? Prevent fading of your furniture, flooring, and paint? In the valley of the sun, most people use sunscreens to shade the inside of their home, but are counterproductive though heat generation of the sunscreens themselves. Come learn and see the newest trend in energy savings for the home through window tinting technology from 3M and NASA products developed with superior benefits for consumers and cost the same or less than sunscreens and never need replacement! (Xtreme Living)

Agua Fria Chapter of the Arizona Archaeological Society - This group was founded to serve as a bond between professional archaeologists and vocational nonprofessional volunteers. They offer extensive classes and seminars to increase the knowledge and skill to their members. Any one with an interest in archaeology and prehistory is encouraged to join! (Arizona Avenue)

Air Force Recruiting - Come into the Blue and meet an Air Force recruiter. Each day an Air Force decorated General will be onsite to greet participants, take pictures, and hand out a one-of-a-kind 56 FW gold plated pin! (Fighter Flight)

Arizona Association for Environmental Education (www.arizonaee.org) - Arizona Association for Environmental Education (AAEE) is a 501(c) (3) organization which strives to enhance the quality, scope, and effectiveness of environmental education in Arizona, working with diverse audiences to promote professional development, networking, and collaborative relationships. We envision that through lifelong learning, all people in Arizona understand the interconnection between humanity and the environment and will make informed decisions and take responsible actions to promote a healthy, sustainable environment. (Arizona Avenue)

Arizona Department of Environmental Quality - The Arizona Department of Environmental Quality's mission is to protect and enhance public health and the environment in Arizona. Established by the Arizona Legislature in 1986 in response to growing concerns about groundwater quality, ADEQ today administers a variety of programs to improve the health and welfare of our citizens and ensure the quality of Arizona's air, land and water resources meets healthful, regulatory standards. (B&M Wildlife Area)

Arizona Falconers Association (www.azfalconersassoc.org) - The Arizona Falconers Association represents the time-honored sport of falconry, in which birds of prey are trained to hunt wild quarry with a human partner. The AFA works to promote the ethical and legal pursuit of falconry as a recognized field sport; to promote the use of sound biological principles and information in the management of raptor populations and falconry; and to encourage programs of public education, scientific study and habitat conservation which advance the welfare of falconry and birds of prey. (Wild Walk)



Parks, Recreation and Libraries Department
www.avondale.org/PRLD
623-333-2400

The City of Avondale thanks all the volunteers, collaborating organizations and the Tres Rios Festival Steering Committee for the hard work and the passion they have for preserving the heritage and the Natural Resources in the Community we live. We urge all to take pride in continuing to celebrate local waterways and wildlife areas, by keeping it clean and beautiful for future generations to enjoy!

**Concerts • Events • Travel Series • Summer Camps • Classes
• Sports • New Parks • Library Programs...and More!**



2007 Exhibitors

Arizona Game and Fish Department – Information and Education Division: How many bat species live in Arizona? Come find out at the Arizona Game and Fish Department's Information and Education booth. Lots of great information and cool displays...plus neat stuff to take home. Don't miss it! (Bird Blvd)

Arizona Game and Fish Department's Wildlife Center and Education Branch - Arizona hosts one of the most diversified groups of wildlife in America. This is your opportunity to see some of these magnificent animals up close and in person. Be sure to look for the AZ Game and Fish Department's Wildlife Center Display near the Naturalist Nook. (B&M Wildlife Area)

Arizona Highways - Arizona Highways magazine is a division of the Arizona Department of Transportation, State of Arizona. For more than 80 years, we have brought the beauty and splendor of Arizona to the world through our award-winning magazine, scenic coffee-table and travel books, exquisite calendars and other unique products which capture the spirit and beauty of Arizona and the Southwest. Our mission is to promote travel to and through Arizona by publishing magazines and offering products about the state and its people, achieve the highest level of quality in production and customer service, while remaining financially independent. (Arizona Avenue)

Arizona Native Plant Society/Maricopa Audubon Society - (<http://aznps.org> and www.maricopaaudubon.org). The Arizona Native Plant Society, in collaboration with the Maricopa Audubon Society, want to save our native species of plants and birds from further encroachment and destruction by mankind and their constructions. (Arizona Avenue)

Arizona Outdoor and Travel Club – The Club is for active people who want to experience the outdoors with an emphasis on fun and relaxation. Our nearing 400 outings per year include after-work social gatherings. Camping, backpacking, canoeing, rafting skiing, and 4x4 trips are also on the monthly calendar, plus organized "adventure trips" to more distant scenic locations for week-long experience in the outdoors. This is a family friendly club with members in all age ranges and skills ranging from novice to expert, from across the whole Phoenix Valley. Please check out our website: www.azoutdoortravelclub.com (Lizard Lane)

Arizona Recyclers - Looking to earn some extra cash? Want to help and an organization you belong to raise money? Here is your opportunity to learn about Arizona's hottest recycling markets and convenient technology: automated units called "Cash for Cans." www.azrecycling.com. (Xtreme Living)

Arizona Riparian Council – The Arizona Riparian Council (ARC) was as a result of the increasing concern over the alarming rate of loss of Arizona's riparian areas. It is estimated that <10% of Arizona's original riparian acreage remains in its natural form, and are considered Arizona's most rare natural communities. The purpose of the Council is to provide for the exchange of information on the status, protection, and management of riparian systems in Arizona. The term "riparian" is intended to include vegetation, habitats, or ecosystems that are associated with bodies of water (streams or lakes) or are dependent on the existence of perennial or ephemeral surface or subsurface water drainage. Any entity interested in the management, protection, or scientific study of riparian systems, or some related phase of riparian conservation is eligible for membership. (B&M Wildlife Area)

Arizona Site Steward Program - Volunteers Dedicated to Protecting and Preserving Cultural Resources and the Heritage of Arizona. The Arizona Site Steward Program is an organization of volunteers, sponsored by the public land managers of Arizona, whose members are selected, trained and certified by the State Historic Preservation Office and the Governor's Archaeology Advisory Commission. The chief objective of the Steward Program is to report to the land managers destruction or vandalism of prehistoric and historic archaeological and paleontological sites in Arizona through site monitoring. Stewards are also active in public education and outreach activities. (Arizona Avenue)

Arizona State Parks - Arizona State Parks offers many opportunities to view a variety of wildlife ranging from the Gila woodpecker to mountain lions. Don't miss the chance to be surrounded by desert landscape, sheer mountain cliffs, captivating cacti, tranquil lakes, and beautiful flora. (River Row)

Arizona Wilderness Coalition - Arizona's environment and cultural heritage defines the American West. Snow-capped mountains and deep rugged canyons; blooming desert and spring fed streams; lush conifer forests and fiery orange sunsets—the diversity of life and landscapes found here connects us to each other and to our ancestors. The Arizona Wilderness Coalition's (AWC) mission is to permanently protect and restore Wilderness and other wild lands and waters in Arizona for the enjoyment of all citizens and to ensure that Arizona's native plants and animals have a lasting home in wild nature. (Arizona Avenue)

Arizona Wildlife Federation – Showcase the Arizona Wildlife Federation, Highlighting conservation and habitat projects, becoming an outdoor woman (BOW), AWF membership and the Arizona Wildlife News. (Arizona Avenue)

AZGFD – Reptiles: Check out live snakes and other fascinating creepie-crawlies! Expert naturalist and acclaimed wildlife artist Randy Babb will be on hand with some of his favorite desert animals. (Lizard Lane)

Barry M. Goldwater Range Management Office - Come see how the Luke AFB Range Management Office is providing a safe haven for all the natural and cultural resources over thousand and thousands of acres of a military training range in Arizona. (Fighter Flight)

Bringbackblue - Come and find out how you can make a difference in bringing back the blue sky in Phoenix! Maricopa County will be onsite providing literature and pledge forms to help eliminate the "Dirty Dozen." (Xtreme Living)

2007 Tres Rios Nature and Earth Festival

Call2Recycle - In 1994 RBRC was founded as a non-profit, industry-sponsored organization to facilitate safe, efficient rechargeable battery recycling in the U.S. and Canada. With the help of our partners – licensees, retailers, businesses, communities and public agencies – we have recycled more than 31 million pounds of rechargeable batteries. We've kept those batteries out of our nation's solid waste stream. (Xtreme Living)

Cartridges for Kids - A recycling program that pays schools and non-profit organizations CASH for empty laser and inkjet cartridges, used cell phones, laptops, PDAs, and iPods. www.cartridgesforkids.com. (Xtreme Living)

Central Arizona Project – Central Arizona Project is Arizona's single largest resource for renewable water supplies. (River Row)

City of Avondale - The City of Avondale ecologically manages one of the first surface water wetlands in the nation. The Crystal Gardens Water Treatment facility and Avondale recharge basins all the City to treat and recharge surface water for the future. Also, learn about the many ways each of us can save water now and for the future. (River Row)

City of Avondale Recreation - Come see what Avondale Recreation has to offer this Spring and Summer season for you and your family! www.avondale.org/recreation. (Bird Blvd)

City of Goodyear – come learn about recycling. There are give-aways, information and a come explore a City of Goodyear Garbage truck – 32 yard rear loader! (Xtreme Living)

City of Phoenix, Pollution Control Division – Play a pollution prevention question and answer game that involves asking questions about various water pollution prevention, conservation etc. . . play to win a giveaway prize. We will also have informational brochures too! (Xtreme Living)

City of Phoenix, Parks and Recreation Division - Natural Resources Division – The City of Phoenix Natural Resource Division offers many gateways to the outdoors that are close to home. Our newest additions include the North Mountain Visitor Center and the Rio Salado Habitat Restoration Area. The North Mountain Visitor Center gives you an up-close and personal tour of the mountain preserve and the beautiful area surrounding us. Daily classes and workshops are offered at the center. The Rio Salado Habitat Restoration Area is a completely transformed five mile stretch of the Salt River just south of downtown Phoenix. The area was once a deteriorated dumping site and now is a renewed riparian zone for visitors to experience. (Wild Walk)

Cooperative Extension - Cooperative Extension, the outreach arm of The University of Arizona, is "taking the university to the people." Extension serves as a statewide network of knowledgeable faculty and staff that provides lifelong educational programs for Arizonans. Part of a nationwide educational network of scientists and educators who help people solve problems and put knowledge to use. Arizona Cooperative Extension provides a link between the university and the citizens of this state. (B&M Wildlife Area)

Credit Union West - Credit Union West is a solid financial co-operative that has consecutively earned five star ratings from independent rating agency Bauer Financial Reports, for the past twelve years. We currently have over \$300 million in assets, and serve over 33,000 members. Membership is open to all who live, work, or worship in Maricopa County. We also invite family members of any current member into our credit union. We are owned and run by our members in order to ensure the highest levels of customer service and satisfaction. (River Row)

Desert Botanical Garden - Desert Botanical Garden volunteers will be on hand with information on desert plants, animals, and how people have not only survived, but also thrived, in our Sonoran desert home. There will be things to touch, feel, and explore. Learn about education opportunities at the Desert Botanical Garden at our exhibit table. Check out www.dbg.org for more information. (River Row).

Desert Rivers Audubon - Desert Rivers Audubon, the newest Audubon chapter in the state, has a display of bird artifacts, and a "kids corner" where kids can sit and do some interactive activities involving the subject of birds. Adults will find a good selection field guide books, and other interesting books on various birds and birdwatching topics, along with experienced birders who can answer your birding questions, and introduce you to this fastest-growing "pastime" by way of a guided birdwalk around the Gila River habitat with loaner binoculars. Come and see what the 100 year old Audubon Society is all about! (Lizard Lane)

Dump Truck Area - Ever wanted to sit in a dump truck, climb in it- here is your chance! (Xtreme Living)

Eco Safety Products - We will preview to the consumer the innovative high performance products that enhance the health, safety, and environmental welfare of residences. As a leading national Green Building, Safety, and Environmental products distributor, our goal is to help the consumer find safer solutions that meet the demanding applications in a sustainable manner. Visit our website at www.ecosafetyproducts.com. (Xtreme Living)

Environmentology - Hybrid Honda Cars will be on display previewing the hottest environmentally friendly vehicles on the road today. Sponsored by Earnhardt Honda, you don't want to miss the new hybrid accord sport coupe! <http://www.earnhardthonda.com/> (Center Walk)

2007 Exhibitors

EOD - Emergency response unit that performs and trains on techniques and procedures to detect, identify, render safe, recover, and destroy both foreign and domestic chemical, biological, nuclear, improvised, and conventional ordnance. Provides support to the US Secret Service and US Department of State with techniques for hazardous device countermeasure security protection for the President, Vice President, political candidates, and visiting foreign dignitaries. Also responsible for safely collecting and disposing of hazardous unexploded ordnance and munitions residue from the 1.7M acre Barry M. Goldwater Range and support of F-16 squadrons at Luke AFB. (Fighter Flight)

Fallen Feathers - Fallen Feathers is a non-profit org. that cares for orphaned and injured wild birds with the hope of returning them back into the wild. They provide medical treatment, food, housing for orphaned, injured and displaced birds. They release many displaced birds back into the wild (when appropriate) and find permanent homes for neglected, injured or otherwise abused pet birds that are not native to the Sonoran desert. (Arizona Avenue)

Feathered Hearts - Feathered Hearts is a nonprofit wild bird sanctuary, rehabilitation and educational center. Its mission is to education the public on the importance of wildlife and conservation. We also discuss what to do when you find an injured bird before it gets to a rehabilitator. (Bird Boulevard)

Flood Control District of Maricopa County - The mission of the Flood Control District of Maricopa County is to provide regional flood hazard identification, regulation, remediation, and education to Maricopa County residents so that they can reduce their risks of injury, death, and property damage from flooding, while still enjoying the natural and beneficial values served by floodplains. (River Row)

Friends of the West Valley Recreation Corridor - The Friends of the West Valley Recreation Corridor (WVRC) is a non-profit organization comprised of nearly 1,000 stakeholders, including volunteers, public and private sector representatives and community leaders, who are dedicated to creating an enhanced corridor along the Agua Fria and New Rivers within Maricopa County. The group was initiated in 2001 through a partnership of Westmarc and Valley Forward Association. Visit us at www.friendsofwwrc.org. (River Row)

Gateway Community College - GateWay's Hydrologic Studies and Water Technology programs (<http://environment.gatewaycc.edu/>) offer students the opportunity to turn their passion for safe and cleaner choices into a career. Working professionals help to prepare students to analyze and treat water to meet local, state, and national standards. See our faculty and students demonstrate how the water flow in the streams can be measured and sampled for water quality. (B&M Wildlife Area)

Global Owl Project (www.globalowlproject.com) - Global Owl Project is a multi-year, worldwide project to resolve foundational aspects of taxonomy and conservation for the world's owls. (lizard Lane)

GPS Exhibit - Come and see how the GPS really works! This is an interactive exhibit! (Fighter Flight)

Grand Canyon Wildlands Council: The Grand Canyon Wildlands Council (www.grandcanyonwildlands.org) weaves science, passion, and integrity to protect and heal wild nature in the Grand Canyon region. We are scientists, conservationists, river-runners, hikers, horseback riders, writers, photographers, outdoor enthusiasts, citizens and visitors. We envision an inspirational landscape of safe haven and safe passage for all the regions' native wild creatures, great and small. (Bird Blvd)

Habitat For Humanity - Habitat for Humanity's Discount Home Improvement Center is a retail business selling surplus new and used building and home improvement materials to the general public. Useable materials are donated by retail businesses, contractors, individuals and other organizations that are remodeling or have surplus or discontinued merchandise. For example, one lumber company who is remodeling has donated most of its inventory to the store. Another lighting company who went out of business gave Habitat the remainder of its merchandise to sell. A primary benefit of the store is that materials which would otherwise be thrown into landfills are reused and recycled. All merchandise will be sold at fifty percent or more below retail value. Profits from the Discount Home Improvement Center will be used by HFH VOS to further its mission of providing home ownership opportunities to low-income families in need of safe, decent and affordable housing. www.habitataz.org. (Xtreme Living)

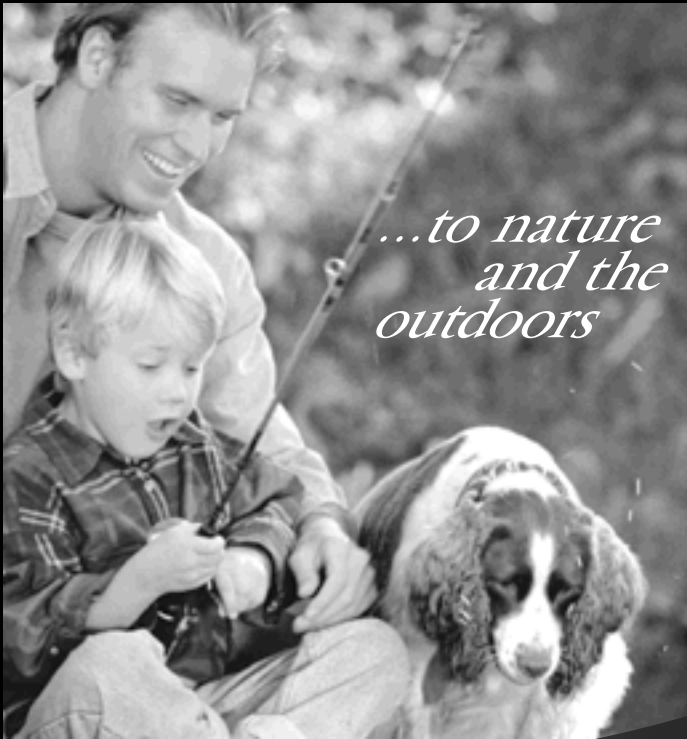
International Dark-Sky Association - The mission of the International Dark-Sky Association (IDA) is to preserve and protect the nighttime environment and our heritage of dark skies through quality outdoor lighting. To achieve these goals, IDA takes an award-winning unified approach that supports the individual efforts of our members and of others who advocate dark skies. In fighting light pollution we work with communities, astronomers, ecologists, and lighting professionals; we are active on local, national, and international stages. We have already accomplished much, but our work is not yet done. With your support, in time we will succeed in conserving, preserving, and restoring our natural dark skies. <http://www.darks skies.org>. (Arizona Avenue).

Liberty Wildlife - Liberty Wildlife is dedicated to nurturing the nature of Arizona through exceptional rehabilitation, engaging educational programs and scientifically based conservation services. Liberty Wildlife has been incorporated since 1981, assisting over 46,000 animals and educating hundreds of thousands of Arizona citizens. (APS Booth)

from our sponsors

GOODYEAR
AZ

Feel the Connection



*...to nature
and the
outdoors*

Tres Rios is a unique opportunity for families to spend the weekend together exploring nature and the great outdoors. The City of Goodyear is proud to be a Falcon Level Sponsor of the fourth annual Tres Rios Nature and Earth Festival as it celebrates our heritage and the river that runs through our city.

2007 Exhibitors

Luke Environmental Excellence Program - Learn how to shop for recycled content products, see how Luke is making waves across the nation for its amazing environmental programs, from recycling to water conservation. Stop by and get some great promotional items to take home! (Xtreme Living)

Luke Mock F-16 Cockpit - Ever dreamed of being a pilot? You don't want to miss the opportunity to sit in an actual F-16 cockpit. For the kid in all of us, this is an experience you don't want miss. Or for the brave at heart, come learn how the bug guys deal with natural disasters, emergencies, etc. Here is your opportunity to play with toys you never have access to! (Fighter Flight)

NASA - Come and learn about the amazing work NASA is doing. Gather information on space flight and exploration. NASA's mission is to pioneer the future in space exploration, scientific discovery, and aeronautics research. (Fighter Flight)

Philips Lighting - Imagine saving hundreds of \$\$'s on your energy bill, reducing air emissions, and preventing pollution. At the festival, you can take the pledge to change one light bulb to compact fluorescent with Philip's lighting and you are on your way. Rebates are available for product purchases and detailed information will be provided on the newest trends in household lighting. (Xtreme Living)

Phoenix/Avondale/Goodyear Recycling - Avondale and Goodyear recycling coordinators will be onsite to answer all your "Do's and Don'ts" of recycling! This is a great opportunity to see how these cities are leading the way in recycling! (Xtreme Living)

Pueblo Grande Museum and Archaeological Park - Pueblo Grande Museum and Archaeological Park is the 1500 year old prehistoric site of a Native American Hohokam village. On site is an outdoor interpretive trail that contains the ruins of a platform mound and ball court, replicated house, an interpretive garden of the agricultural system the Hohokam people maintained as well as representations of the canal systems they build. Inside are three galleries and a theatre, included a children's hands-on gallery. All exhibits relate to the southwest, archaeology, Native People of the Hohokam culture. The museum is open seven days a week. Visit us online at www.pueblogrande.com or call 602-495-0901 for more information. (Bird Boulevard)

Simple Green - Simple Green started over twenty-five years ago as a concentrated, non-toxic and biodegradable cleaner long before it was trendy or mandated by law for products to be "environmentally friendly." Our products are non-toxic and readily biodegradable. We have products to suit every cleaning need that are safe for the family; safe for the environment. FREE product samples of our all purpose cleaner, pre-moistened wipes, abrasive pads and other promotional items for kids will be given away. Literature will be available for review. www.simplegreen.com (Xtreme Living)

Smith Barney - Xtreme Savings - Come and learn financial stewardship with one of the valley's leading investment counselors; Programs will be highlighted for all stages in life, both young and old! (Xtreme Living)

Sonoran Audubon Society - The purposes of the Sonoran Audubon Society are to educate its members and the community about birds, other wildlife habitats, and the beauty and importance of the complete interactions that make for a healthy environment. We also encourage and support our members' involvement in the conservation, preservation and restoration of natural ecosystems and the biological diversity. (Wild Walk)

Southwest Valley Regional YMCA - The Southwest Valley Regional YMCA has been serving the communities of Goodyear, Avondale and Litchfield Park since 2000. The Southwest Valley Regional YMCA provides programs for youth ages 3-16 including childcare, day camps, youth sports, and teen programs. Our program members participate in these programs that build a healthy spirit, mind and body. They come for the caring, experienced staff. They come for fun to make new friends, and a chance to help others. (Bird Boulevard)

Southwest Wildlife Rehabilitation and Educational Foundation - Southwest Wildlife Rehabilitation and educational foundation is a non-profit 501 (c)(3) organization, dedicated to rescuing and rehabilitating sick, injured and abandoned animals, and also dedicated to educating today's youth and adults on the importance of native wildlife and how we can save Arizona's wildlife. (River Row)

Tom Taylor, Wild Horse & Burro Program - Meet Hualapai, a former wild range burro and Tom Taylor, her adopter. Both are volunteers for Bureau of Land Management's Wild horse and Burro Program. We will have information about wild horses and burro adoptions. We will be at the park both days. (Open)

Tread Lightly - Tread Lightly!, Inc. (www.treadlightly.org) is a national nonprofit organization with a mission to proactively protect recreation access and opportunities in the outdoors through education and stewardship initiatives. Not only is Tread Lightly! The nation's signature ethics message for outdoor enthusiasts that use motorized and mechanized vehicles, but Tread Lightly! Also offers unique training and restoration programs strategically designed to instill an ethic of responsibility in a wide variety of outdoor enthusiasts and the industries that serve them. Three intermediate GPS classes will also be given each day - stop by the booth to sign up. First come first serve. (River Row)

USDA, Wildlife Services - USDA Wildlife Services is responsible for conducting research on the beavers of the Tres Rios area. Come learn about how it will benefit the Tres Rios Restoration Project. (Lizard Lane)

2007 Tres Rios Nature and Earth Festival

VRP - Communities that care! Come learn how your communities work together to make Phoenix a great place to live by saving natural resources, saving energy, preventing pollution, saving taxpayers money, and how you can reduce, reuse, and recycle! <http://www.recyclevrp.com>. (Xtreme Living)

Watchable Wildlife: Learn where to go and what to do in Arizona to see our state's fascinating wildlife. Did you know many opportunities exist right in town? Come learn more! (B&M Wildlife Area)

Westech Recycler's - Westech Recyclers, Inc. recycles computer and electronic equipment, thus keeping harmful heavy metals (mercury, lead, cadmium, etc.) out of our landfills. They will be on hand to collect all your excess electronic property in any condition for FREE!!! Just load it up and bring to the festival. Drop off will occur in the parking area of the Phoenix International Raceway. (Xtreme Living)

Wildlife For Tomorrow Foundation – The Wildlife For Tomorrow Foundation is the fiduciary for the Tres Rios Festival. They are a Not- For-Profit that was created to enhance the management, protection and enjoyment of Arizona's fish and wildlife resources. Its single purpose is to support important and worthy projects that make a difference to the wildlife and people of Arizona. (Information Booth)

Wildlife World Zoo (Saturday ONLY) - Wildlife World Zoo features over 1400 animals from around the world making it the largest collection of exotic animals in Arizona. Wildlife World Zoo exhibits large cats, giraffes, zebras, a rhino, and many animals as well as 3 indoor exhibit buildings. We are open 365 days a year from 9am-5pm. (Bird Boulevard)

Xtreme Art - Come and show us your art talents on the largest paper mural project of Festival history! The mural project is 100 feet in length by 8 feet high and we need your artistic talent to create a statement for the community on the importance of Arizona's heritage! (Center Walk)

Xtreme Building - Outdoor Play House. Come and enter to win an outdoor playhouse made completely from recycled materials! You want to see this! (Center Walk)

Xtreme Xeriscape - The exhibit will preview some of the most exotic plants and hybrid plants that are native to Arizona and are Xtremely beautiful! Star Nursery will be showcasing a variety of plants that are perfect for the Phoenix gardener that are beautiful, low maintenance, and conserve water. Staff will be onsite to answer all technical and planting questions and provide resources for the consumer to purchase at valley-wide nursery locations. www.starnursery.com. (Xtreme Living)

Zep Manufacturing - Zep is a chemical manufacturer that is in the US as well as international. Zep has innovated a new "GREEN Line" of products that are revolutionary and are safe for the environment. Additionally, we will have We will be conducting demo's and will be offering information for people on how to purchase the products and literature for participants to take home with them. (Xtreme Living)

Zip Fizz - Come and try the latest "healthy alternative" to other energy drinks! Zipfizz contains caffeine from green tea extract, nine vitamins, eight minerals, electrolytes, antioxidants and an especially big swig of vitamin B12. It comes in berry, citrus and pink lemonade flavors. The drink, which uses artificial sweeteners, has 10 calories. www.zipfizz.com. (Bird Boulevard)



Wetland Shuttle

Tres Rios Demonstration Area Tour

sponsored by City of Phoenix



Where and how do I get there?

Located on 91st Avenue and the Salt River, the Tres Rios Wetland Demonstration Area is an amazing wildlife viewing location. Take the shuttle bus to the area.

What can I expect?

Plan on a minimum of one-hour for the round trip! You will be shuttled to the site, get out and explore the locations. Wildlife experts are on site to share their knowledge of the area. This is a unique opportunity to see how these human constructed wildlife benefit the natural world!

Thank you for the generous donation of the busses by:

56 Logistics Readiness Squadron -

“Old School” revived for the new generation of diesel busses!

These busses run on bio diesel for a clean ride!



SWValleyParent.com

A community Web site that has become an instant favorite among Southwest Valley moms. Parents save hours of time by finding everything for kids and families in one place online...



*Air Conditioning • Heating
Plumbing • Drain Cleaning*

*Donley Service Center
proudly supports the
Tres Rios Nature Festival*



*(602) 997-6115
(480) 941-8447*

www.donleyservice.com



Tres Rios Nature
& Earth Festival

www.TresRiosNatureFestival.com



eWaste

Live to Reuse



FREE Recycling Event

March 17th -18th, 2007

Sat: 10-6 and Sun: 10-4

Phoenix International Raceway
I-10W Exit 131 - 115th Ave.
5 Miles South, Avondale, AZ

By: Westech Recyclers, Inc.

602-256-7626

What Can You Recycle?

Computer Equipment

PC's, Laptops, CRT Monitors, Flat Panel Monitors, Modems, Switches, Hubs and Routers, Storage Devices, Main Frames, Servers, Power Supplies, Tape Libraries, Circuit Boards, Power Cords, Printers, Wire and Cabling, Surplus Metals, Mice, Keyboards, Hard Drives, Floppy, DVD and CD Drives, etc.

Telecom Equipment

Telephones, Cell Phones, Switches, CSU/DSU Multiplexing Equipment, Phone Systems, etc.

Audio/Visual Equipment

Stereos, Radios, Amplifiers, Projectors, Televisions

Point of Sale Equipment:

Credit Card Machines, Printers, Scanners, etc.

Fax Machines and Copiers



VALLEYWIDE
RECYCLING
PARTNERSHIP

COMMUNITIES THAT CARE
www.recyclevrp.com

**Forgot your donation or have a company that
needs to clean-out old electronics?**

**Mention that you are recycling from the Tres Rios
Nature and Earth Festival and we will receive a
donation from your drop-off!**

from our sponsors



WELCOME TO THE
TRES RIOS FESTIVAL!!

BE SURE AND VISIT THE
AUDUBON BOOTHS FOR LOTS
OF THINGS TO DO!



**The Wildlife for Tomorrow
Foundation is searching
for volunteers to assist
in foundation activities.**

**If you are interested
please contact us at www.wildlifefortomorrow.org or
by calling 623-204-2130.
You could also sign up this
weekend at the Information
Booth.**

Thank you!

**We hope
to see you
Next Year!**



[THANKS FOR BRINGING NEW ENERGY.]

When talented people and organizations are committed to improving the community, good things happen. And they

deserve special recognition. As a

hometown company,

Mesquite Power is devoted

to bringing new energy to

the community. That's

why we are proud to be in

partnership with the

Wildlife For Tomorrow

Foundation as the title sponsor of this year's Tres Rios Festival - an

event dedicated to the education, protection and enjoyment of

Arizona's fish and wildlife resources. We believe that's what

bringing new energy to the about community is all about.



MesquitePower

A SEMpra ENERGY COMPANY

A Sempra Energy company, Mesquite Power is a 1,250 megawatt power-generating station located in Arlington, Arizona. All copyright and trademark rights reserved. Sempra Energy is an Equal Employment Opportunity/Affirmative Action/Disabled Veterans Employer. Find out more at www.Sempra.com/diversity.

Arizona Game & Fish Department
OUTDOOR  **EXPO**

2007

Saturday, March 31 • 8 a.m. – 5 p.m.
and
Sunday, April 1 • 8 a.m. – 4 p.m.

Ben Avery Shooting Facility

4044 W. Black Canyon Blvd. • Phoenix, Arizona

(Exit I-17 at Carefree Hwy, exit 223, go west ½ mile to Long Shot Lane)

FREE ADMISSION! FREE PARKING!

Enjoy family-friendly activities, demonstrations and exhibits in:
Hunting • Fishing • Recreational shooting • Archery
Off-highway vehicle recreation • Watercraft recreation
Conservation and wildlife education
Camping • And more!

*For more information, visit azgfd.gov/expo or call
the Arizona Game and Fish Department at (602) 789-3241.*